

# O505 NEW



## ASYMMETRICAL FLAT ZAMAK HINGE WITH THREADED STUD

### Material:

(1) Die-cast zamak alloy (zinc, aluminium and copper alloy).

### Surface finish:

Smooth.

### Colour:

(01) Black epoxy powder coated, (RAL 9011).

(Z) Standard blue galvanising.

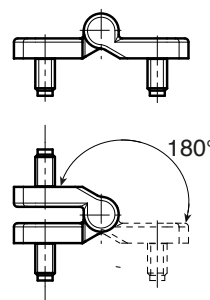
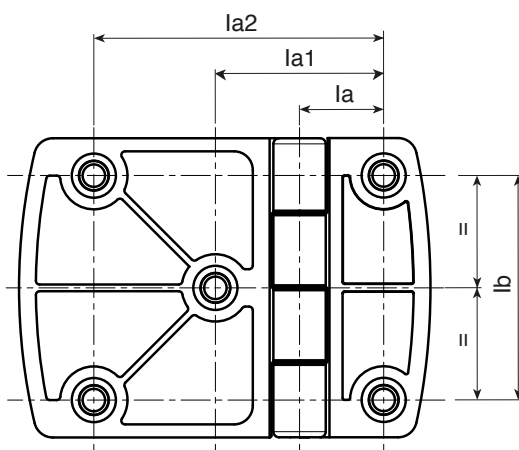
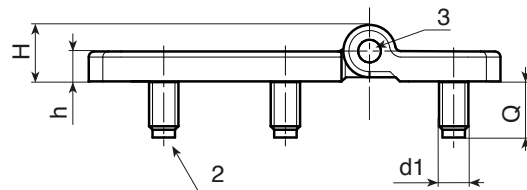
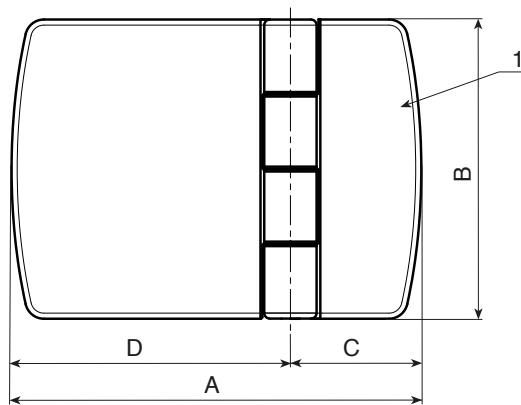
### Inserts:

(2) Galvanised steel threaded stud, (thread tolerance 6g).

(3) Stainless steel (Aisi 304) hinge pivot pin.

### SPECIAL REQUESTS:

- None.



Black coated version code 01

art.	la	la1	la2	lb	A	B	C	E	h	H	d1 <sup>6g</sup>	Q	g
O505077.ZM08X1401	22,5	45	77,5	60	110	80	34	76	8	18	M08	14	387

Galvanised version code Z

art.	la	la1	la2	lb	A	B	C	E	h	H	d1 <sup>6g</sup>	Q	g
O505077.ZM08X14Z	22,5	45	77,5	60	110	80	34	76	8	18	M08	14	387

Presumable presence in the stock in %   
 90% ● 40% ● 5% ●

