

O460 NEW



HINGE WITH ADJUSTABLE FRICTION AND THROUGH HOLE

Material:

Reinforced polyamide.
Resistant to oils and greases.

Surface finish:

Satin.

Colour:

Black (RAL 9011).

Inserts:

- (4) Galvanised steel pin.
- (1) Stainless steel (Aisi 304) friction adjusting screw.
- (2) Stainless steel nut for adjusting screw (Aisi 304).
- (3) Pivot pin cap in PA6.

Hole:

Through hole obtained by moulding the plastic for fixing screw M6.

To adjust the friction:

Using a screw driver to turn the adjusting screw (1), the friction can be set to a maximum of:

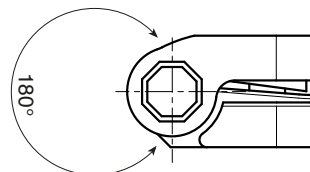
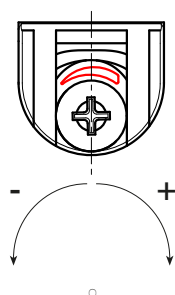
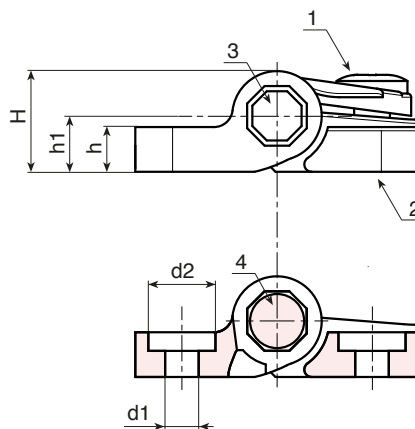
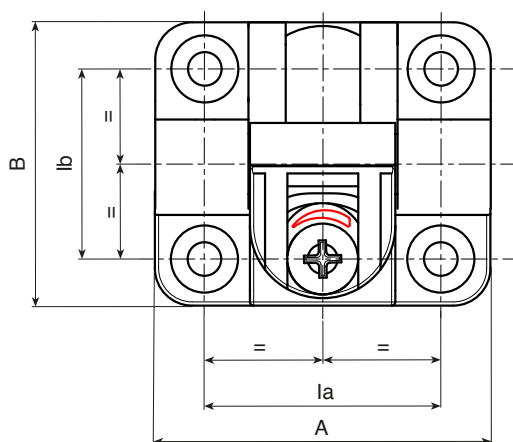
O460032: 0.8 Nm.

O460047: 4 Nm.



SPECIAL REQUEST:

- None.



art.	la	lb	A	B	H	h	h1	d2	d1	g	F1 (N)	F2 (N)
O46032.TG04.501	32	25,5	45	38	13,5	6	7,5	9	4,5 (M04)	17	700	1.400
O46047.TG06.501	47,5	38	63,5	58	18,5	8,5	11,5	12,5	6,5 (M06)	47	1.500	2.250