

O433



FLAT HINGE WITH THREADED FEMALE INSERTS AND RIGHT THROUGH PLASTIC HOLES

Material:
Reinforced polyamide.
Oils and greases resistant.

Surface:
Satin.

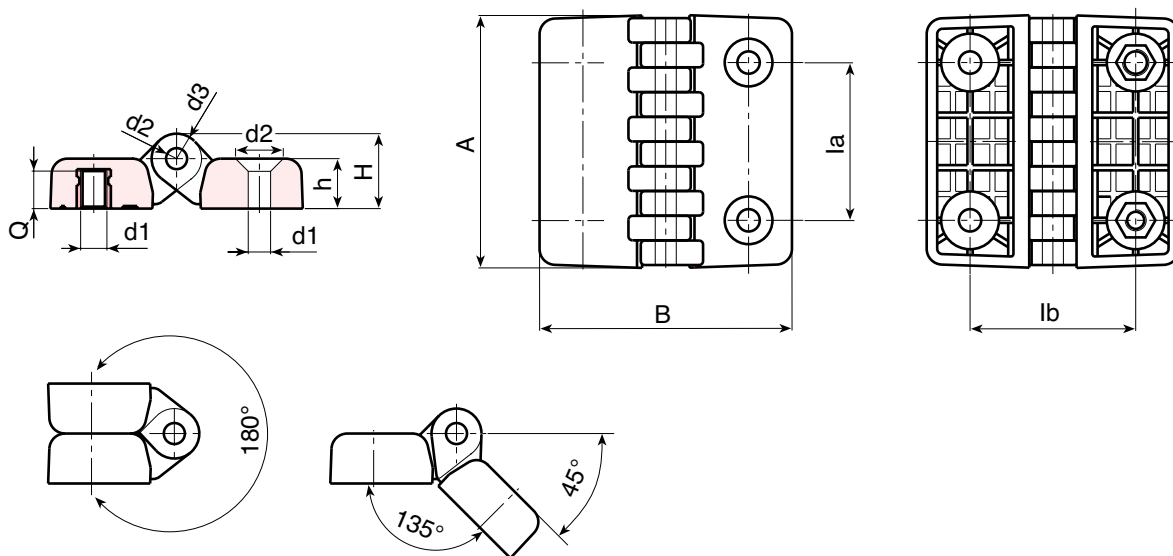
Colour:
Black (RAL 9011).

- Inserts:**
- Zinc plated steel pin.
 - Brass blind threaded bush (tolerance 6H).
 - Right through smooth hole obtained by moulding the plastic. Seat for countersunk screws DIN 7991 or UNI 5993..



SPECIAL REQUESTS:

- It is possible to supply inserts in different materials, on request and for quantities.
- It is possible to supply colours as shown in the table on page O-19, on request and for quantities.



	art.	la	lb	A	B	h	H	d2	d3	d1	Q	g	F1 (N)	F2 (N)
●	O43330.TM0601	30	30	48	48	10,5	15,5	5	10	M06 / 6,5	7	31	2000	1450
●	O43340.TM0601	40	40	64	64	13	19	5	12	M06 / 6,5	9	60	3500	1650

Presumable presence in the stock in %

90% ● 40% ● 5% ●