

# O410



## SHIM FOR O400-30 HINGE

**Material:**

Reinforced polyamide.  
Oils and greases resistant.

**Surface:**

Satin.

**Colour:**

Black (RAL 9011).

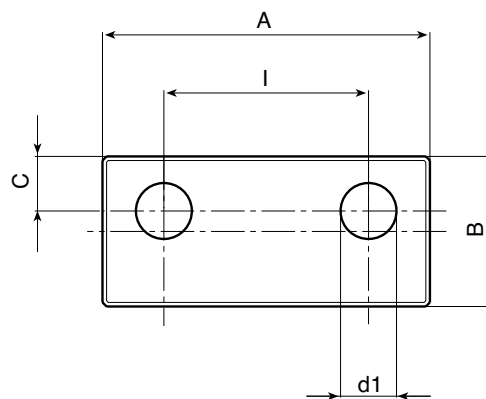
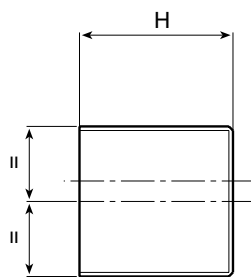
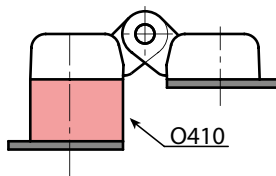
**Hole:**

Right through smooth hole obtained by moulding the plastic.



**SPECIAL REQUESTS:**

- It is possible to supply colours as shown in the table on page O-19, on request and for quantities.



	art.	I	C	A	B	H	d1	g
●	O41030.TG08,501	30	8	48	22	22,5	8,5	19