

# O305 NEW



## FLAT ZAMAK HINGE

**Material:**

Die cast zamak alloy (zinc, aluminium and copper alloy).

**Surface:**

Satinata.

**Colore:**

Naturale.

**Inserts:**

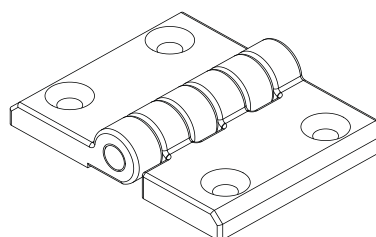
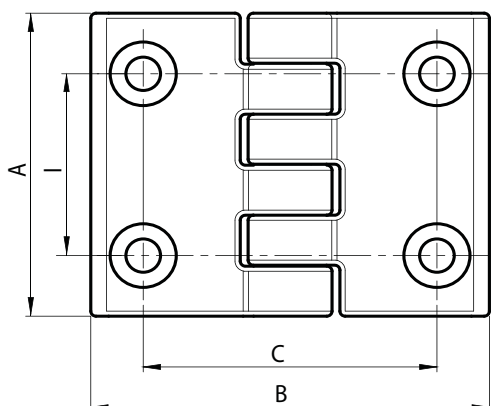
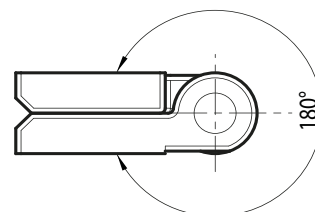
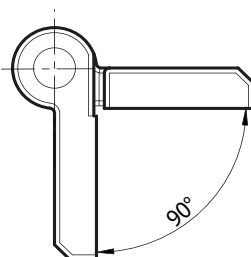
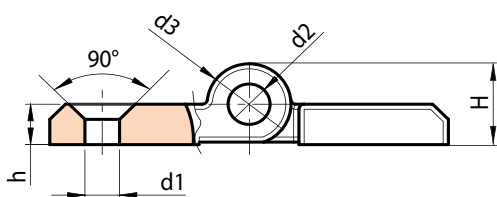
Galvanised steel pin.

**Hole:**

Through hole obtained by moulding. 90° counter-sunk hole for UNI 5933 - UNI 6109 screw.

**SPECIAL REQUESTS:**

- None.



art.	I	C	A	B	h	H	d2	d3	d1	g
O30536.ZG06.501	36	56	60	76	8	16	8	15,5	6,5	250